



SYMPHONY Imaging

Business Introduction for Guest

January 2021



This document contains information which is proprietary and confidential to Symphony IMAGING Co., Ltd.
Disclosure to persons other than the officers, employees, agents, or subcontractors of the Company
or licensee of this document without the prior written permission Symphony IMAGING Co., Ltd is strictly prohibited.

Symphony Imaging Confidential and Proprietary

Location



www.symphonyimaging.com

Company Overview

Established : 24 July 2015

Paid-in Capital

250,000,000 (KRW)

Location

◎ Head office & R&D Center

SK V1 Center #1017, 10 Seonyu-ro 9-gil, Yeongdeungpogu,
Seoul, 07281, Korea

◎ Japan office

5-33-9-101, Narita-Higashi, Suginami-ku ,
Tokyo , Japan

◎ Manufactory, Philippines

LOT C4-9 BGY, Punta, Carmelray Industrial, Park2, Calamba,
Laguna, Philippines

Location

(Head office & R&D Center)



(Tokyo sales office)



(Philippines Manufactory)



CEO



- 서울시립대학교 공과대학 전기전자 컴퓨터 전공
- Louisiana State University in USA Computer Science

- | | | |
|----------------|-------|-------------|
| • 현대 모비스 | 기술연구소 | |
| • 미국 Real - D | 기술연구소 | 책임연구원 |
| • 삼성전자 이미징 사업부 | 기술연구소 | 책임연구원 |
| • NESTRI | 기술연구소 | 연구소장 / 상무이사 |

- 2009 KDDI Japan Casio HITACHI WOO 3D phone 30만대 개발 · 생산
- Nintendo 3D 개발
- SAMSUNG Galaxy 3D 개발, QUALCOMM 3D Tablet 개발
- Nokia , HTC 3D Smart phone 개발
- SAMSUNG Camera NX 300 개발 생산
- CJ CGV 3D영사관 적용



Symphony imaging partnership



Air craft partner



Product Lineup



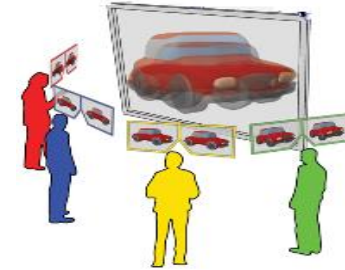
Stereoscopic 3D Display



Tracking 3D Display



Barrier Type Display



Lenticular type Display

Transparent Display



Advertisement

Transparent 3D Display



VR Display

Hologram 3D Display



Lens Display

Kiosk display



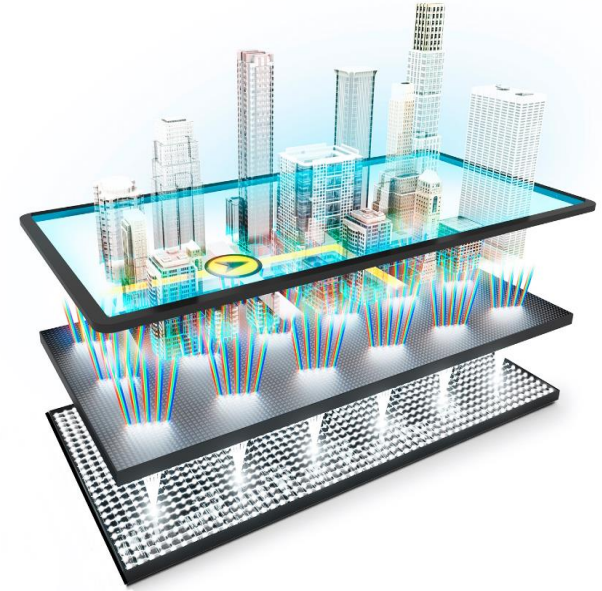
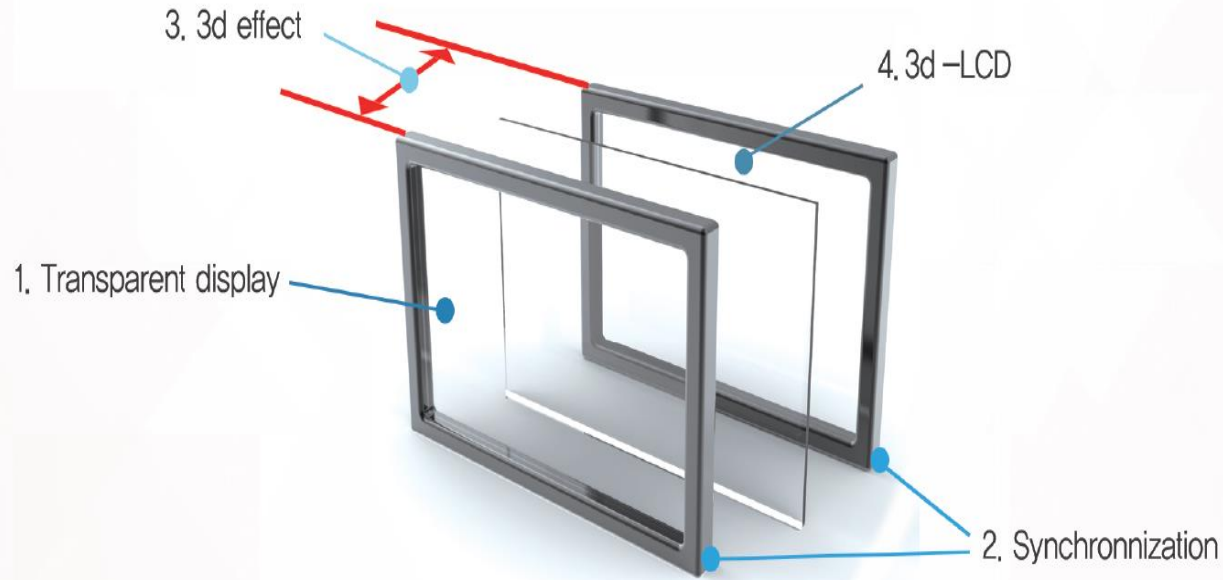
Kiosk Solution
High brightness display
Bar display

ID card with finger print



Credit Card , Electronic authentication Card

Light field Display (symphony imaging patents)



Advertisement Sector



Virtual Reality Display



Game Device



Transparent LCD Technology



- Transparent Display
- Electronic Advertisement Application Product
- Production between 1 inch and 55 inch available
- Touch function available
- Superb penetration ratio by 30% compare to S , L、 and A company
- Excellent penetration ratio (LCD 17%, OLED 52%)
- LCD & OLED Style Development completion



Transparent Hologram LCD Technology



- High quality image of FHD can be implemented
- Application technology using high-refraction optical lenses
- 80% of high penetration ratio
- Optical Hologram Display with Outstanding sense of color
- Aircraft window display applicable structure



Transparent Hologram LCD Technology



Transparent Hologram LCD Technology

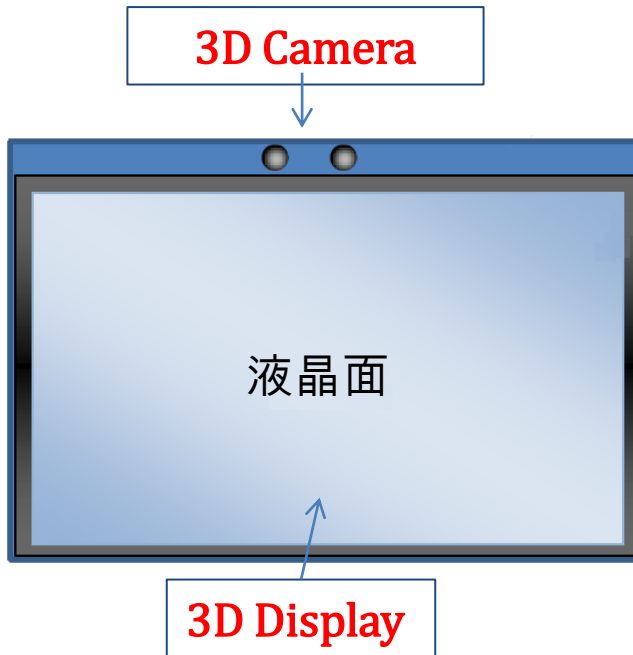
※ **IOM** 기능(기내 인터넷 망을 이용한 미디어 연계 서비스) 예시
항공분야



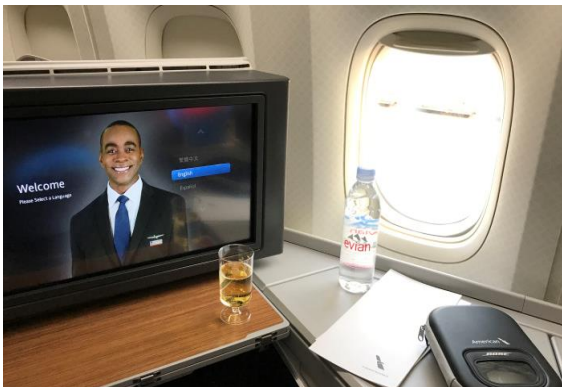
※ **IOM** 기능(기내 인터넷 망을 이용한 미디어 연계 서비스) 모빌리티 분야
인터넷 **AI** 기반의 차량 네비게이션 서비스 컨셉트



Stereoscopic 3D Head Tracking



- High quality image of FHD implementation
- High-speed user header tracking function
- 3D Camera applied
- 2D image 3D image selection is available.
- Optimum viewing distance : 600mm~1200mm
- Viewing angle : 120°
- Improvement of dizziness : UP To 50%
- Lcd barrier type





owen,.kang0509@gmail.com